

# SWANSTONE®

## REMOVABLE THRESHOLD FOR BARRIER FREE SHOWER

### Installation Instructions

#### Model BF-RT

The removable Threshold For "The Barrier Free Shower" is designed for installation exclusively over the Swanstone "Barrier Free Shower Floor", Model BF-3060.

#### MEASURE BEFORE YOU START!

Depending upon the location of the Barrier Free Shower Floor in relation to the stud pocket and the wall surface materials to be used, some trimming may be required (See Figure 1).

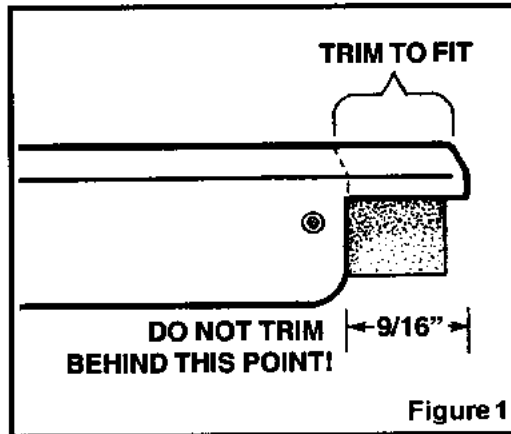


Figure 1

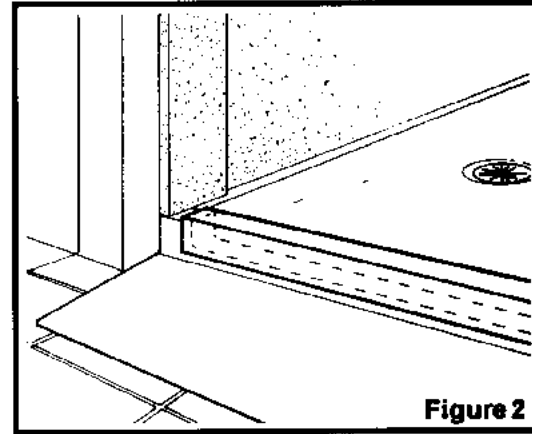


Figure 2

It is recommended that the length of the removable threshold unit be at least 1/8" less than the right to left measurement from the wall. Since this unit is designed to be "removable", a "jamb" fit is neither nec-

essary nor desirable (See Figure 2).

If more than 1-1/8" is to be trimmed from the removable threshold unit, the unit does not allow for that much of a trim and will not fit.

The removable threshold is made from Aluminum and may be easily trimmed with a hacksaw.

Secure the removable threshold to the shower floor by tightening the two set screws (See Figure 3)

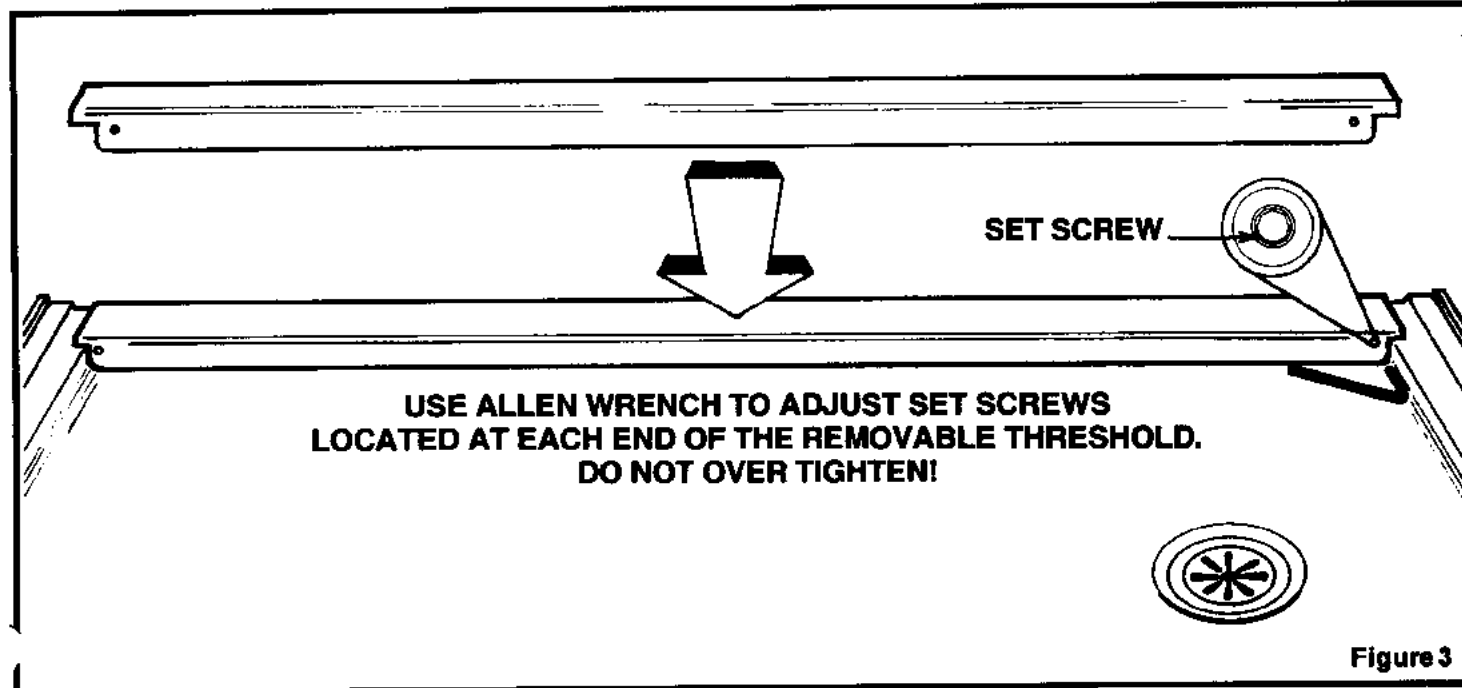


Figure 3